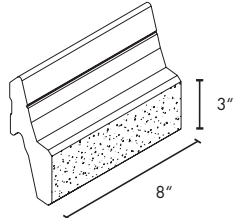
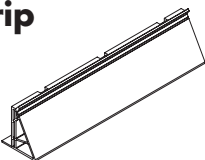
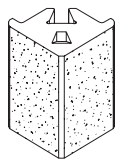
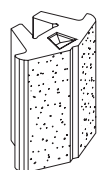

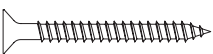
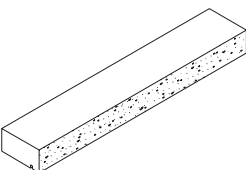
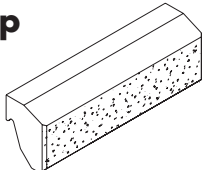
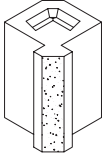
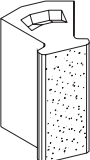
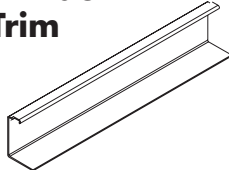


Estimating Sheet

Product	Dimensions	Calculations	Results
Novabrik 75 	Height = 3.0" Weight = 4.3 lbs. Coverage = 6.1 units/sq.ft.	$\frac{\text{Total wall sq. ft. needed}}{\text{Coverage Factor}} \times$ NOTE * always check product height availability	= _____ x price _____ = _____ \$
SV-Starter Strip 	Length = 8.0' Weight = 4.2 lbs. Color = White	$\frac{\text{Length of wall in feet}}{8}$ NOTE * round up to the nearest 8' length ** use above all openings	= _____ x price _____ = _____ \$
Exterior 90° Corner 	Height = 6.0" Weight = 4.6 lbs.	$\frac{\text{Total linear feet of corners required}}{2} \times 2$ NOTE * to be used with the 90° Corner Strip ** use construction adhesive between blocks	= _____ x price _____ = _____ \$
Exterior 45° Corner 	Height = 6.0" Weight = 3.1 lbs.	$\frac{\text{Total linear feet of corners required}}{2} \times 2$ NOTE * to be used with the 45° Corner Strip ** use construction adhesive between blocks	= _____ x price _____ = _____ \$
Corner Strip 	Length = 4.0' Weight = 2.2 lbs.	$\frac{\text{Total linear feet of corners required}}{4}$ NOTE * round up to the nearest 4' length ** a 45° corner strip is also available	= _____ x price _____ = _____ \$
Screw 	#10 x 2.75"	$\frac{\text{Total Novabrik needed}}{4} \times 4$ NOTE * this will include enough screws for entire project ** use stainless steel screws in highly corrosive environments (<5 miles, ie: coastal areas) *** check dealer screw recommendations for ACQ, CBA, or CBX treated wood	= _____ x price _____ = _____ \$

* all units are based on the imperial system
 ** all weights are approximated and could differ up to .5 lbs
 *** check color availability with your local dealer

Product	Dimensions	Calculations	Results
Window Sill 	Height = 2.25" Width = 4.0" Length = 15.75" Weight = 12.0 lbs.	$\underline{\hspace{2cm}} \times .75$ Ln. ft. of window NOTE * use construction adhesive between blocks	= _____ x price _____ = _____ \$
Wainscot Cap 	Height = 5.0" Width = 3.75" Length = 15.75" Weight = 17.0 lbs.	$\underline{\hspace{2cm}} \times .75$ Ln. ft. of window NOTE * check availability with your local dealer ** use construction adhesive between blocks	= _____ x price _____ = _____ \$
Interior 90° Corner 	Height = 6.0" Weight = 6.0 lbs.	$\underline{\hspace{2cm}} \times 2$ Total linear feet of corners required NOTE * use construction adhesive between blocks	= _____ x price _____ = _____ \$
Interior 45° Corner 	Height = 6.0" Weight = 4.0 lbs.	$\underline{\hspace{2cm}} \times 2$ Total linear feet of corners required NOTE * use construction adhesive between blocks	= _____ x price _____ = _____ \$
Window Trim 	Length = 8.0' Weight = 2.0 lbs. Color = White	$\underline{\hspace{2cm}} / 8$ Ln. ft. of window NOTE * round up to the nearest 8' length ** check availability with your local dealer	= _____ x price _____ = _____ \$

House Wrap or Air Barrier

Square feet needed rounded to the nearest full roll _____ x price _____ = _____ \$

1" x 3" x 8" SPF #2 Dry (or equivalent)

One piece per wall stud and 2 per opening _____ x price _____ = _____ \$

Construction Adhesive

2 tubes/100 sq.ft. and/or 2 tubes/8 ft. corner _____ x price _____ = _____ \$

Colors

- | | | |
|--|---|--|
| <input type="checkbox"/> Arlington Blend 265-179 | <input type="checkbox"/> Harvest Blend 265-125 | <input type="checkbox"/> Augusta Blend 265-122 |
| <input type="checkbox"/> Aspen Gray 265-138 | <input type="checkbox"/> Marble White 265-100 | <input type="checkbox"/> Rocky Mtn 265-190 |
| <input type="checkbox"/> Colonial Red 265-178 | <input type="checkbox"/> Smokey Mtn Blend 265-135 | <input type="checkbox"/> Old River Rd 265-189 |
| <input type="checkbox"/> Desert Sand 265-120 | <input type="checkbox"/> Charcoal 265-133 | <input type="checkbox"/> Light Cream 265-114 |
| | <input type="checkbox"/> Walnut 265-187 | <input type="checkbox"/> Natural Clay 265-184 |
| | | <input type="checkbox"/> Other _____ |
| | | <input type="checkbox"/> Other _____ |

Total #2 = _____ \$

+ Total #1 = _____ \$

+ Tax(es)

Grand Total = _____ \$

* all units are based on the imperial system
 ** all weights are approximated and could differ up to .5 lbs
 *** check color availability with your local dealer

www.novabrik.com